



徐工徐工 助您成功  
XCMG FOR YOUR SUCCESS

# WZ30-25

## 挖掘装载机 BACKHOE LOADER



XCMG official Platform  
www.machmall.com/  
machmall@xcmg.com

2019年第1版

Your nearest XCMG dealer

---




---



# WZ30-25

## 世界第一 World's First

徐工是第一家自主设计、生产铰接式挖掘装载机的企业，经过20年技术更新、销售、备件渠道完善已成为中国销量第一产品，已经实现批量出口中亚、非洲、亚太、美洲等区域。WZ30-25具有稳定可靠、作业高效、节约成本、维护便利、驾驶舒适特性，可以提供世界一流的生产动力。

Xuzhou Construction Machinery Group Co., Ltd. (XCMG) is the first enterprise to independently design and produce articulated backhoe loaders. After 20 years of technological renovation, sales and improvement of spare parts channels, its articulated backhoe loader has become the best-selling product and has been exported to Central Asia, Africa, Asia Pacific, America and other regions in batches. WZ30-25 features stability, reliability, efficient operation, cost saving, convenient maintenance and comfortable driving and can provide world-class production power.

## ■ 极限性能 Ultimate Performance

- 作为铰接式挖掘装载机领跑机型，徐工WZ30-25在中亚、非洲等区域市场占有率达到80%。
- As the leading model of articulated backhoe loader, XCMG WZ30-25 has a market share of 80% in Central Asia, Africa and other regions.



- 徐工WZ30-25挖掘装载机是你买到的最通用的工程机械。它结合挖掘机和装载机功能，让你一机两用。
- XCMG WZ30-25 backhoe loader is the most universal construction machinery commercially available. Combining the functions of backhoe and loader, it can be used for both digging and loading.
- 挖掘装载机转场灵活，可以让你在工地从事装载、挖掘作业忙碌一天后，轻松开车返回家。
- Flexible transfer of the backhoe loader allows you to drive home easily after a busy day of loading and digging at the construction site.



# WZ30-25

## 超高可靠性 Ultra-high Reliability

徐工WZ30-25具有高强适应性，稳定可靠的部件，使得它可以满足寒冷、高热天气，在恶劣工况下都有良好的表现，以可靠、耐用完成艰巨任务。

With high adaptability and stable and reliable components, XCMG WZ30-25 adapts to cold and hot weather conditions, performs well under severe conditions, and completes difficult tasks with reliability and durability.

## 高适应性 High Adaptability

- WZ30-25由徐州工程机械研究院独立自主设计，拥有完美的动力传动系统匹配，成熟稳定、性能可靠。
- Independently designed by Xuzhou Construction Machinery Research Institute, WZ30-25 features perfect power train matching, stability and reliable performance.
- 在面向国际客户销售的同时，徐工充分考虑我们的产品即将面对的各种挑战，徐工WZ30-25通过了-25℃—45℃气候条件下的严苛测试，也可以满足不同油品下的正常作业需求。
- For sales to international customers, XCMG fully considers various challenges in front of our products. XCMG WZ30-25 has passed rigorous tests at -25°C~45°C, meeting normal operation requirements with different fuel products.
- 徐工WZ30-25经历了120万次挖掘、铲装疲劳性测试，性能表现比肩国际知名品牌整体式挖掘装载机
- XCMG WZ30-25 has been subject to 1.2 million digging and loading fatigue tests with performance comparable to that of integrated backhoe loader of world-famous brand.
- WZ30-25驾驶室，配备灭火器、救生锤，确保操作人员安全。
- The cab of WZ30-25 is equipped with fire extinguisher and life hammer, for operator safety.
- 挖掘端采用厚钢板加固，铲斗和挖斗上有可更换的斗齿，有效保护铲斗免受岩石等坚硬物料的冲击。
- The backhoe is reinforced with thick steel plate, and the loader and backhoe buckets are provided with replaceable teeth to effectively protect the buckets from being impacted by hard materials such as rock.
- 率先采用可拆卸驾驶室框架结构设计，便于运输需要及通过低矮环境。
- As the first model designed with detachable cab frame structure, for meet transportation requirements and go through low places.
- WZ30-25四轮驱动，前后轮采用大轮胎，离地间隙大，通过性能强，在不平整地面行驶更加稳定。
- WZ30-25 is a four-wheel drive model. Front and rear wheels are provided with large tires to provide a great ground clearance, high trafficability and more stable driving on uneven ground.



# WZ30-25

## 作业能力和表现：挖掘端

### Operation Capacity and Performance: Backhoe

强大的液压，巨大的挖掘力，作业稳定的挖掘装置和完美匹配的部件，WZ30-25挖掘端的设计提供了无与伦比的生产力，效率和稳定性。

With high hydraulic pressure, great digging force, stable operating digging device and perfect matching components, the backhoe of WZ30-25 is designed to provide excellent productivity, efficiency and stability.

#### 强悍的挖掘性能 Strong Digging Performance

- 挖掘液压系统采用负载补偿技术，微动操作性能强，挖掘动作平稳，精度高，高压高效液压系统使得WZ30-25挖掘能力完全胜任艰难的挖掘作业。
- With load compensation technique, the hydraulic digging system features high inching operation performance, stable digging and high precision. The efficient high-pressure hydraulic system enables the digging capacity of WZ30-25 to be fully sufficient for difficult digging tasks.
- WZ30-25具有40KN (4080 kgf) 的挖掘力，可以轻松切开硬质地面，工作效率非常高。
- With a digging force of 40KN (4080 kgf), WZ30-25 can easily cut hard ground with very high efficiency.
- 挖掘工作装置采用国际主流直臂箱型结构，既满足了挖掘半径、挖掘深度要求，又提升了挖掘工作装置的稳定性。
- The international mainstream straight arm box type structure of the digging device cannot only meet the requirements for digging radius and depth, but also improve stability of the device.
- 配备一个220升油箱可以满足全天挖掘工作。
- A 220L fuel tank sufficient to meet the whole day digging requirement is equipped.



# WZ30-25

## 作业能力和表现：装载端

### Operation Capacity and Performance: Loader

WZ30-25具有高生产力，速度和易操控，强大的液压系统使得使装载端铲装、转向更加有力，配合自动放平功能和高满斗率，使得工作稳定高效进行。

WZ30-25 features high productivity, speed and easy operation. The powerful hydraulic system enables more powerful loading and swing, and facilitates stable and efficient operation in combination with the bucket hydraulic translation function and the high bucket full rate.

### ■ 高效的装载机能力 Efficient Loader Capacity

- 徐工WZ30-25匹配国际知名品牌发动机，液力控制变速箱前4后2档位设计，承载能力大，适应频繁换向行驶，性能可靠，高效满足挖掘装载机各种工况的使用要求。
- XCMG WZ30-25 is equipped with an engine of international famous brand. The hydraulic transmission is designed with 4 drive gears and 2 reverse gears and high carrying capacity to adapt to frequent reversing and with reliable performance to effectively meet operation requirements of the backhoe loader under various conditions.
- 整机牵引力达70KN,远远高出同类产品，装载、牵引作业强劲，卸载距离可达930mm，超出同行产品约15%以上，具有出色的装载作业优势。
- The overall traction is up to 70KN, far higher than those of similar products. With powerful traction, the dumping distance can reach 930mm, about 15% above that of peer products. This model is excellently advantageous in digging.
- 工作装置经最优化设计，采用Z型反转六连杆结构，铲斗任意位置自动放平功能，具有优越的作业性能和作业效率。
- After optimal design of the working device, a Z-type reverse six-link structure is adopted. With the bucket hydraulic translation function at any position, favorable operation performance and efficiency can be provided.
- 为了防止物料撒落，WZ30-25在运输物料时能保证收斗限位块与动臂紧密贴合，保证将物料全部倒入指定地点。
- To prevent material scating, the bucket limit block closely fits the boom during material transportation by WZ30-25 in order to ensure dumping of all materials at the designated location.
- 重载理念设计，强劲的动臂结构，提供了出色的强度和刚度，使得WZ30-25超载能力出众，具有强大的物料切入能力和出色的掘起能力。
- The heavy duty concept design and the strong boom structure have provided excellent strength and stiffness and provided WZ30-25 with favorable overload capacity, strong material cutting capacity and outstanding lifting capacity.



# WZ30-25

## 完美的驾驶空间 Perfect Driving Space

一个舒适的操作环境可以大大提高作业效率，徐工设计师充分认知这点，WZ30-25驾驶室的设计满足人机工程学，布局合理，给操作人员带来舒适的驾乘体验。

XCMG designers have fully recognized that a comfortable operating environment can greatly improve work efficiency. With ergonomic design and reasonable layout, the cab of WZ30-25 brings comfortable driving and riding experience to the operator.



### ■ 舒适的操作环境 Comfortable Operation Environment

- WZ30-25驾驶室空间宽敞，很容易进入，在每个操作位置都有足够的腿部空间。
- The cab of WZ30-25 is spacious and easily accessible, with enough legroom at each operating position.
- WZ30-25的座椅多角度可调，操纵杆、仪表盘均按照人体工程学布置，给操作人员一个舒适、便捷、易操作的工作环境。
- WZ30-25 is equipped with a multi-way adjustable seat, and the control lever and the instrument panel are arranged ergonomically to provide the operator with a comfortable, convenient and easy operating environment.
- 制动系统采用气顶油四轮制动，兼顾启动性能和坡道等复杂路况作业安全。
- An air-over-oil 4-wheel brake system is used, taking into account starting performance and safe operation in complex road conditions such as ramp.
- 驻车制动与紧急制动“二合一”，并具有低气压自动作用和低气压启动保护功能，行车、驻车安全可靠。
- The parking brake is integrated with the emergency brake. The functions of low-pressure automatic actuation and low-pressure start protection can ensure safe and reliable driving and parking.
- 为了缓解司机长时间从事挖掘作业产生的疲劳感，挖掘装置由先导手柄控制，操纵便捷，降低司机工作难度和强度。
- To relieve fatigue of the driver after digging for a long time, the digging device is controlled by the pilot handle. The operation is easy to reduce the driver's operation difficulty and intensity.
- 配备的电器系统防尘、防水、耐腐蚀，使用寿命更长。
- The equipped electric system is dust proof, water proof and corrosion resistant and has a longer service life.
- 专用驾驶室更美观、大方。
- The dedicated cab is more beautiful designed.



# WZ30-25

## 便捷的维护保养 Convenient Maintenance

即使可靠性非常强的WZ30-25日常维护保养也是必须的，WZ30-25的设计维护便捷，保养件和备件与3吨装载机有较高的通用性，使得备件更易采购，最大提升了有效工作时间。

Although WZ30-25 is highly reliable, routine maintenance is necessary. The design of WZ30-25 enables convenient maintenance. Maintenance parts and spare parts are also highly universal for 3t loader. As a result, it is easier to purchase spare parts, greatly improve the effective working time.

### ■ 日常维护 Routine Maintenance

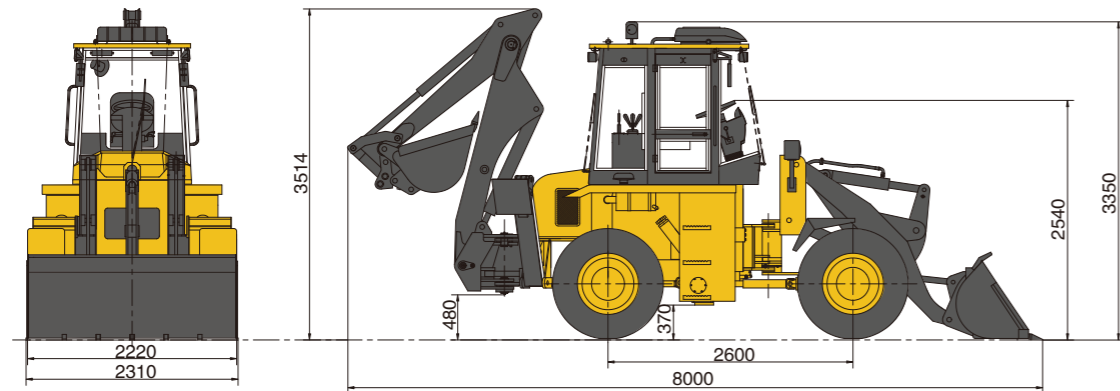
- 发动机空气滤清器使用250小时，需要客户检查更换，方便无需爬高。
- The air filter of the engine needs to be checked by the customer for replacement after 250h of use. The check is convenient without climbing.
- 配备轮胎气压表，可以方便快捷，检查轮胎气压、机油、发动机柴油、变速箱油、液压油是否充足。
- Provide a tyre pressure gauge to conveniently check for sufficiency of tyre pressure, oil, engine diesel, transmission fluid and hydraulic fluid.
- 随机配黄油枪可以轻松保养工作装置铲斗销、连杆销、转斗销、提升油缸、交接缸销、传动轴等。
- Provide the backhoe loader with a grease gun for easy maintenance of the bucket pin, link pin, bucket rotating pin, lift cylinder, handover cylinder pin, drive shaft, etc. of the working device.
- 检查车架、副车架、工作装置，各部固定螺栓是否有裂纹松动；紧固轮辋螺母。
- Check the frame, subframe, working device, and fixing bolts for crack or loosening, and tighten the rim nuts.
- 在发动机和风扇皮带中间一点用手指压下约6Kg力，正常张紧扰度应约10mm。
- Apply with fingers a force of about 6Kg at a point between the engine and the fan belt, and check whether the normal tension is about 10mm.

	服务提醒 Warning	时间 Time
发动机机油 Engine Oil	检查更新新油 Check and replace the oil	每250小时 Every 250h
发动机机油滤芯 Engine oil filter element	更换滤芯 Replace the filter element	每250小时 Every 250h
燃油滤清器 Fuel filter	更换滤芯 Replace the filter element	每500小时 Every 500h
空气滤清器 Air filter	更换滤芯 Replace the filter element	每250小时 Every 250h
变速箱滤芯 Transmission filter element	更换滤芯 Replace the filter element	每250小时 Every 250h
变速箱油检查 Check of transmission fluid	更换新油 Replace with new fluid	每500小时 Every 500h
桥油检查 Axle fluid check	更换新油 Replace with new fluid	每1000小时 Every 1000h

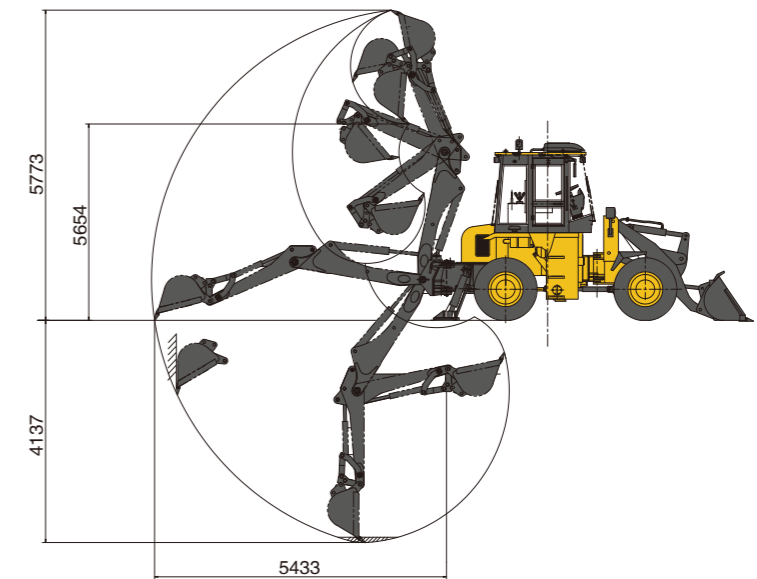


# WZ30-25

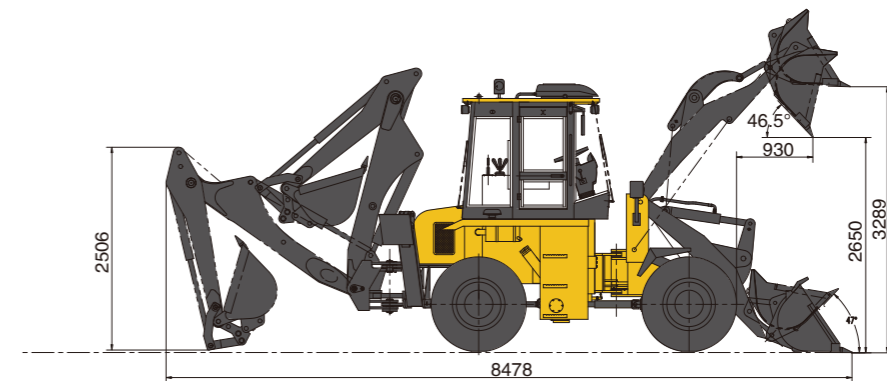
## 参数 Specification



项目 Item	参数指标 Parameter Index	单位 unit
外形尺寸 Overall dimensions	整机长度 Overall length	8000 mm
	整机宽度 Overall width	2310 mm
	整机高度 Overall height	3350 mm
工作重量 Operating weight	9500	kg
最高行驶速度 Max. driving speed	≥ 33	km/h
最大爬坡度 Max. gradeability	≥ 20	°
转弯半径 Turning radius	≤ 5300	mm
轴距 Wheel base	2600	mm
最大牵引力 Maximum traction	≥ 70	kN
地盘类型 Chassis type	铰接式 Articulated type	/
挖掘装置 Digging device	中置式 Central type	/
驱动形式 Driving mode	四驱 Four-wheel	/
动力系统 Силовая система	厂家 Manufacturer	玉柴 Yuchai
	型号 Model	YC4B90-T20
	型式 Type	立式、直列、四冲程、增压、电控单体泵 Vertical, in-line, four-stroke, booster, and electronic unit pump
	缸径 × 行程 Cylinder diameter × stroke	108 × 132
	总排气量 Total displacement	4.837
	额定功率 Rated power	65
	额定转速 Rated speed	2400
	最低燃油消耗率 Minimum fuel consumption	230



项目 Item	参数指标 Parameter Index	单位 unit
挖掘装置 Digging device	反铲斗额定容量 Rated capacity of backhoe bucket	0.3 m <sup>3</sup>
	最大挖掘半径 Max. digging radius	5433 mm
	最大挖掘深度 Max. digging depth	4137 mm
	系统压力 System pressure	18 MPa



项目 Item	参数指标 Parameter Index	单位 unit
装载装置 Loading device	铲斗额定容量 Rated capacity of loader bucket	1.0 m <sup>3</sup>
	额定工作载荷 Rated working load	2500 kg
	最大卸载高度 Max. dumping height	2650 mm
	最大卸载距离 Max. dumping distance	930 mm
	系统压力 System pressure	18 MPa
	提升时间 Lifting time	≤ 5 s
	三项和时间 Total cycle time	≤ 10 s





Machmall.com is an electromechanical product platform officially launched by XCMG, aiming to provide global customers with a complete set of high-quality construction machinery solutions and supporting equipment.

Xuzhou Construction Machinery Group Co., Ltd. (XCMG Group), founded in 1943, is the fourth largest worldwide construction machinery manufacturer and the largest in China with products covering 183 countries and regions.

XCMG have 12 complete solutions: Crane lifting, Mining Construction, Earth-moving Solutions, Road Machinery, Concrete Equipment, Tunnel and Underground Space Construction, Mobile Elevating Work Platform (MEWP), Piling and Non-excavation Equipment, Transportation Equipment, Environmental Sanitation Equipment, Firefighting, Safety and Emergency Rescue

徐工徐工，助您成功

— XCMG for your success —

